

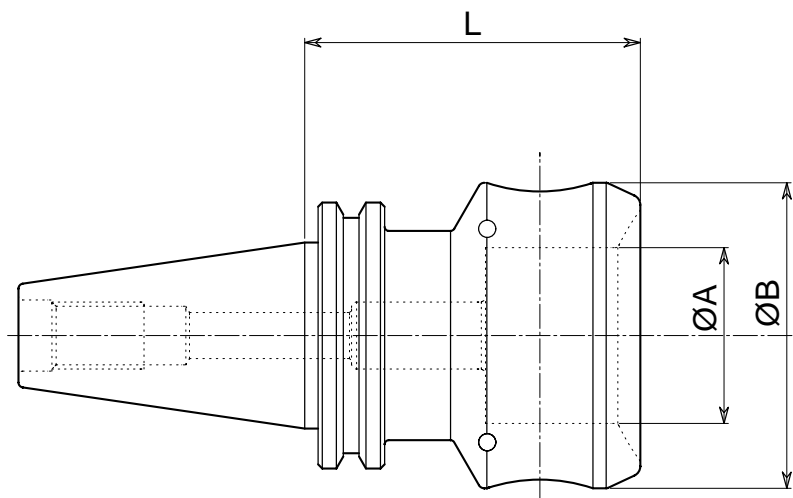
ATTACCHI BASE

DIN  
69871/A

ATTACHEMENT DE BASE

BASIC ADAPTORS

GRUNDAUFNAHMEN



| ISO | TAGLIA<br>SIZE<br>TAILLE<br>GRÖßE | A<br>mm | B<br>mm | L<br>mm | PESO<br>WEIGHT<br>POIDS<br>GEWICHT<br>Kg | CODICE<br>CODE<br>CODE<br>CODEX |
|-----|-----------------------------------|---------|---------|---------|--|---------------------------------|
| 30  | T3                                | 32      | 63      | 71,2    | 1,25                                     | TUTOATTB007                     |
| 30  | T4                                | 42      | 73      | 81,2    | 1,50                                     | TUTOATTB008                     |
| 40  | T4                                | 42      | 73      | 81,2    | 1,80                                     | TUTOATTB009                     |
| 45  | T4                                | 42      | 73      | 81,2    | 2,30                                     | TUTOATTB010                     |
| 50  | T5                                | 52      | 84      | 89,2    | 4,20                                     | TUTOATTB011                     |

