

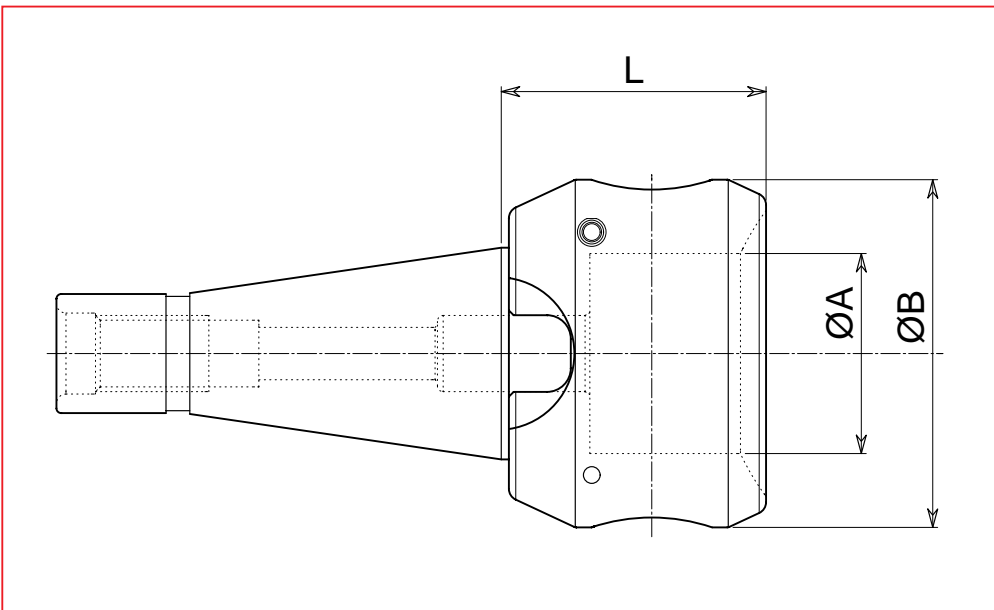
ATTACCHI BASE

DIN
2080

ATTACHEMENT DE BASE

BASIC ADAPTORS

GRUNDAUFNAHMEN



| ISO | TAGLIA SIZE TAILLE GRÖßE | A mm | B mm | L mm | PESO WEIGHT POIDS GEWICHT Kg | CODICE CODE CODE CODEX |
|-----|-----------------------------------|---------|---------|---------|--|---------------------------------|
| 30 | T3 | 32 | 63 | 49,6 | 1,15 | TUTOATTB000 |
| 30 | T4 | 42 | 73 | 55,6 | 1,35 | TUTOATTB001 |
| 40 | T4 | 42 | 73 | 55,6 | 1,65 | TUTOATTB002 |
| 45 | T4 | 42 | 80 | 48,2 | 2,10 | TUTOATTB003 |
| 50 | T5 | 52 | 97,5 | 58,2 | 3,90 | TUTOATTB004 |

